

av-2 scooter

When endurance and reliability matters

110 minutes duration

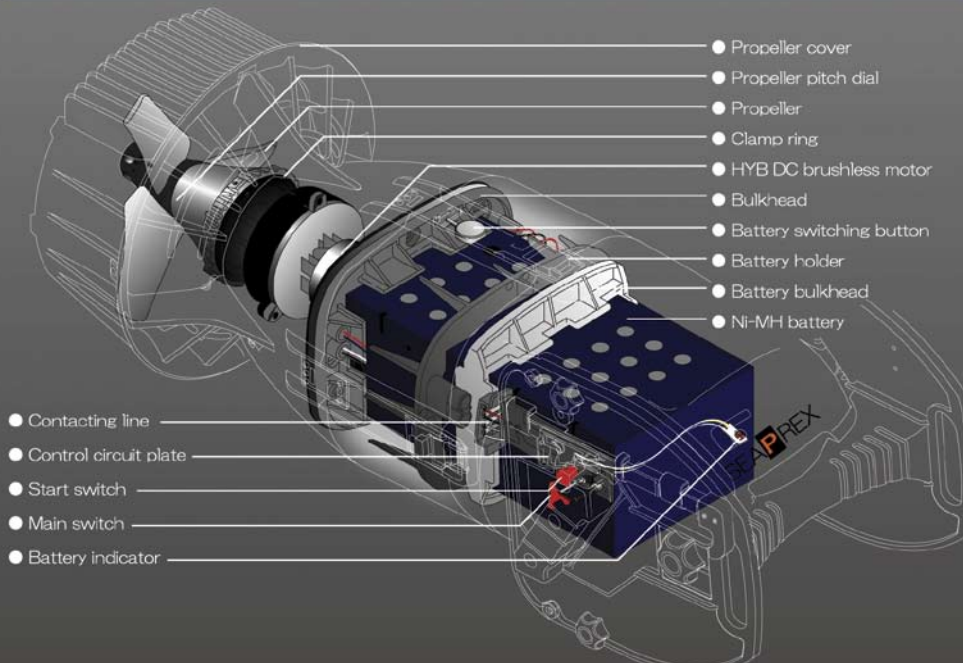
7.2 km range



apollo
AUSTRALIA

When endurance matters the **av-2** is the only choice

The SVX and av-2 (The av-2 does not have the Centre Battery section)



- Contacting line
- Control circuit plate
- Start switch
- Main switch
- Battery indicator

- Propeller cover
- Propeller pitch dial
- Propeller
- Clamp ring
- HYB DC brushless motor
- Bulkhead
- Battery switching button
- Battery holder
- Battery bulkhead
- Ni-MH battery



Propeller pitch assembly

The pitch of the propeller may be adjusted manually on the surface or underwater by simply turning the pitch selector at the back of the propeller. Pitch number (1) is the fastest setting. Experiment with the pitch setting to maximise propulsion under different loads to suit the operator's needs.



Wing Arms

By using the fold down wings situated at the sides of the saddle it's now possible to pull 2 operators or other equipment with the av-2. When holding onto the wings, operator's different physiques have virtually no effect on the scooters performance. For instance the speed and distance with 3 operators are almost the same as using the scooter solo without a saddle.

HYB DC brushless motor



- Type : DC brushless motor
- Rating voltage : DC 24V±10%
- Rating generating power : 187W
- Rating torque : 0.686N·m (7.0kgf·cm)
- Rating rotating speed : 2600r/min±10%
- Rating electric current : 10.2A±10%
- Isolation resistance : More than 10kΩ with DC 500V
- Control : Adjustable speed control with 10kΩ resistor up to UL1007AWG22
- Temperature range for use : -10°C to +40°C
- Humidity range for use : 10%RH to 70%RH (no condensation)
- Temperature range for storage : -30°C to +35°C
- Weight : 2kg

- Speed: 0 - 4km / hr
- Continuous Cruising Time: 110 minutes
- Average Cruising Range: 7.2 km
- Shock-resistant ABS resin body
- Motor: DC brushless
- Three speed variable pitch propeller
- Progressive acceleration system and rotational speed adjustment function allows precise changes to speed while in motion
- Thermal switch protection automatically switches off if overheating occurs
- L.E.D. battery life indicator on bulkhead
- 20 KG on the surface / neutral buoyancy underwater
- Dimensions: 720 x 340mm
- Rated to 70 metres
- Includes hand free saddle and multi-rider wings
- Includes Ni-MH batteries and charger
- Normal Capacity: 22Ah/ (DC 24V)



Speed control

The adjustable acceleration function allows for concise changes to your speed while in motion. This easily activated adjustment results in smooth effortless riding and allows for easy synchronisation of speed between divers of dissimilar size, weight and loads in diverse current conditions and locations.



L.E.D. battery life indicator

The av-2 has a L.E.D battery life indicator on the top cover that allows the diver to easily see the remaining battery life. When the battery is full all three colours light up. Only the red light shows when the battery is empty. The L.E.D indicator should be used as a guide only.

Contact Apollo Ph: 61 2 9620 9577 Fax: 61 2 9620 9744
 Apollo Australia Pty Ltd
 Unit 1/20 Artisan Road Seven Hills Sydney NSW 2147 Australia
 Contact Apollo Military: Reggie Probst
 Email: info@apollomilitary.com
 Mobile: 0418 270 505